

# Model 960 Solenoid Pinch Valve

Acro's Model 960 is a 2-way solenoid pinch valve that is offered in a normally-closed (N/C) default state. This model supports flexible tubing in the 0.250 – 0.375" ( $\frac{1}{4}$ – $\frac{3}{8}$ "") outer diameter (OD) range and is configured without an opposing interface to allow customer flexibility in system integration. This model is ideally suited for medical or bioprocessing applications where disposable tubing sets or cassette/cartridges are being used.

Model #	960
Weight	20.6 oz. (584g)
Required Power	7–70 Watts pull-in (pulse) 4–7 Watts hold-in
Tube OD Range	0.250–0.375 in. (6.4–9.5 mm)
Supported Tube Hardness	Up to 70 Durometer Shore A
Mounting Options	Panel
Protective Seals	Panel
Supplied Default State	N/C



## Ideal Applications

- Medical Devices: surgical irrigation, dialysis, blood collection, plasma collection, IV and other medical based fluids
- Bioprocessing: media, buffer, antibody, drug dispensing, or general biochemical fluid handling
- Food and Beverage dispensing or transfer
- Industrial filling or dispensing systems
- Water purification, filtration and treatment systems

## Features

- Panel mount configuration
- Robust, simple design that supports long cycle life and accommodates larger diameter tubing
- Quiet and smooth operation with minimal heat generation in actuated states
- Splash seal for valve protection and enables easy cleaning without disassembly
- No wetted parts and zero dead volume

## Optional Solenoid Valve Accessories

- Solenoid *Pulse and Hold* driver/controller board
- Noise reduction module
- Digital Hall or analog sensors options
- Custom cabling, ties and harnessing

## Ordering and Customization

For ordering information please call 1.925.676.8828 or email us at: [info@acroassociates.com](mailto:info@acroassociates.com)

Need a custom pinch valve design? Acro is pleased to offer engineering design services to meet your custom needs. Some modifications often requested are changes to tube slot, pinch ridge, pinch gap, pinch force, occlusion time and alternate material construction.

# Engineering Diagram

## MECHANICAL

RECOMMENDED TUBING RANGE: .250 - .375 INCH O.D.  
[6.3 - 9.5 MM O.D.]

STATE: TUBING NORMALLY CLOSED

SEALS: PANEL MOUNTING SPLASH SEALS STD.

MOUNTING: PANEL MOUNT IN ANY POSITION.

TUBE LOADING: CASSETTE-STYLE.

NOISE REDUCTION: OPTIONAL, CONSULT FACTORY.

## ELECTRICAL

VOLTAGE REQUIREMENT: 12 - 48 VDC.

POWER CONSUMPTION:

PULL-IN POWER (PULSE): 7 - 70 WATTS

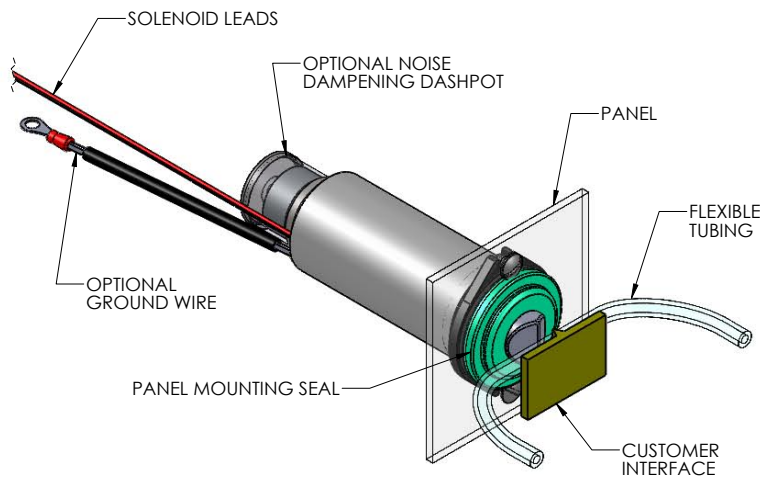
HOLD-IN POWER: 4 - 7 WATTS

ACTUATION: PULSE & HOLD CONTROLLER RECOMMENDED.

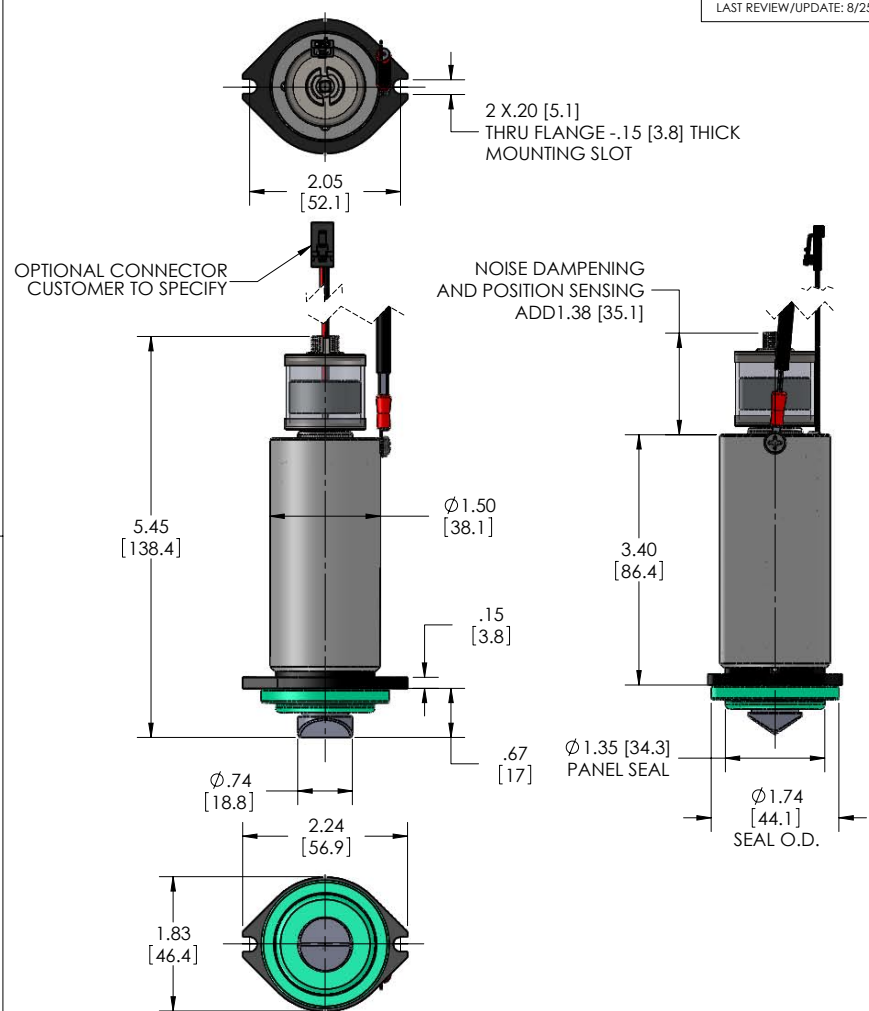
POSITION SENSING: OPTIONAL, CONSULT FACTORY.

LEADWIRES: 22 AWG UL1061, 13" LENGTH

## SPECIFICATIONS



**ISOMETRIC VIEW**



**DIMENSIONAL DETAILS**

**DIMENSIONS: INCH [MM]**

DRAWING NUMBER  
**D9116**

DESCRIPTION  
**MODEL 960 SOLENOID  
PINCH VALVE GENERAL SPEC'S**

THIS DRAWING CONTAINS  
INFORMATION PROPRIETARY  
TO ACRO ASSOCIATES, INC.

**ACRO ASSOCIATES INC**  
CONCORD, CALIFORNIA



1990 Olivera Road, Suite A  
Concord, CA 94520-5455  
tel: 925-676-8828 • fax: 925-680-8113  
[www.acroassociates.com](http://www.acroassociates.com)