

MECHANICAL

RECOMMENDED TUBING RANGE: .125 TO 187 INCH O.D.
(3.0 TO 5.0 MM O.D.)

STATE: TUBING NORMALLY CLOSED.

SEALS: INTERNAL AND PANEL MOUNTING SPLASH SEALS STD.

MOUNTING: PANEL MOUNT IN ANY POSITION.

TUBE LOADING: SNAP IN.

NOISE REDUCTION: OPTIONAL, CONSULT FACTORY

ELECTRICAL

VOLTAGE REQUIREMENT: 12 TO 48 VDC.

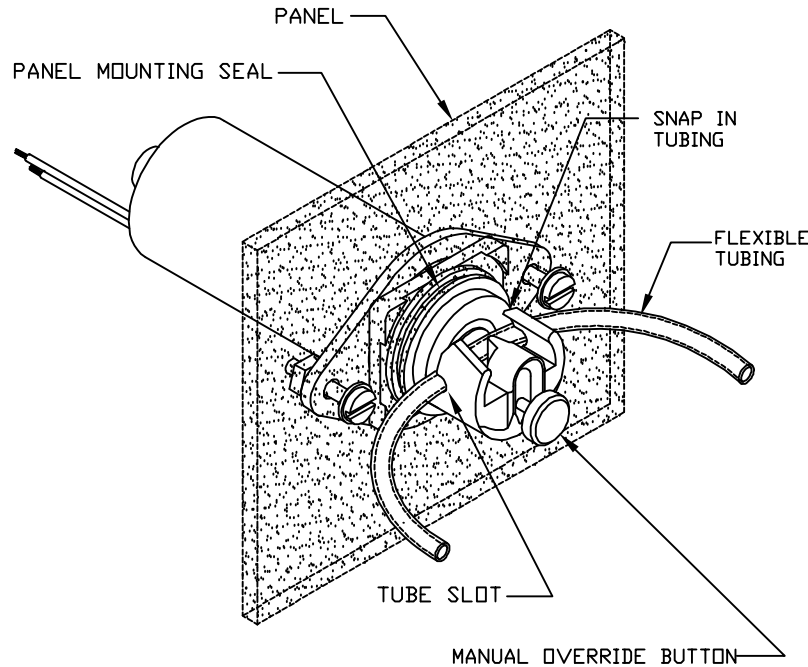
POWER CONSUMPTION: 6 WATTS CONTINUOUS.

ACTUATION: PULSE AND HOLD RECOMMENDED.

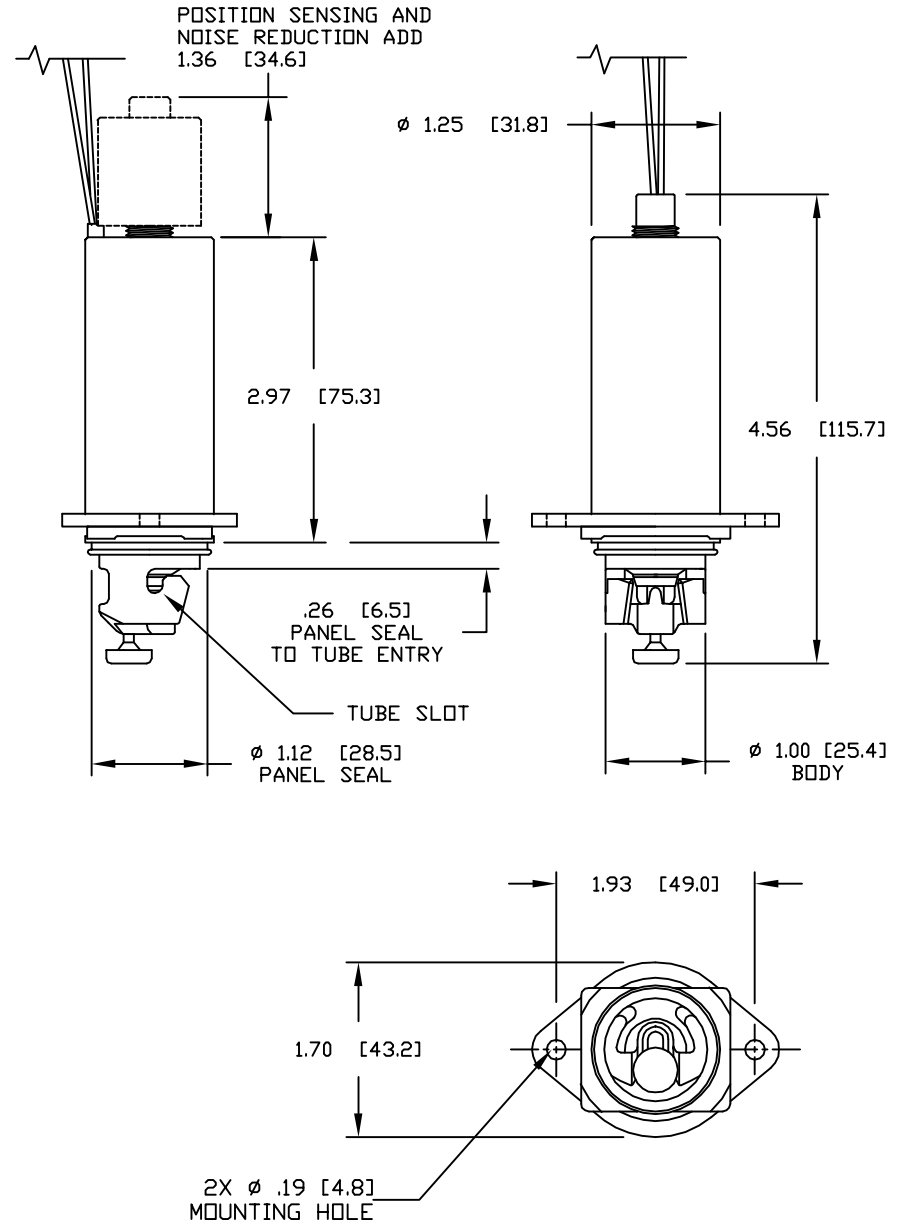
POSITION SENSING: OPTIONAL, CONSULT FACTORY.

LEADWIRES: 22 GA. UL1061, 12" LENGTH.

SPECIFICATIONS



ISOMETRIC VIEW



DIMENSIONAL DETAILS

DIMENSIONS: INCH [METRIC]

DRAWING NUMBER: D9054
 DESCRIPTION: MODEL 955 SOLENOID PINCH VALVE GENERAL SPECS
 THIS DRAWING CONTAINS INFORMATION PROPRIETARY TO ACRO ASSOCIATES, INC.
ACRO ASSOCIATES
 1990 OLIVERA ROAD, CONCORD, CALIF. 94520, USA (925) 676-8828