

MECHANICAL

RECOMMENDED TUBING RANGE: .500 TO .750 INCH O.D.
(12.5 TO 20.0 MM O.D.)

STATE: TUBING NORMALLY CLOSED OR NORMALLY OPEN,
SPECIFY STATE WHEN ORDERING

AIR REQUIREMENT: 65 TO 125 PSIG

CONTROL: 3-WAY PNEUMATIC CONTROL VALVE REQUIRED,

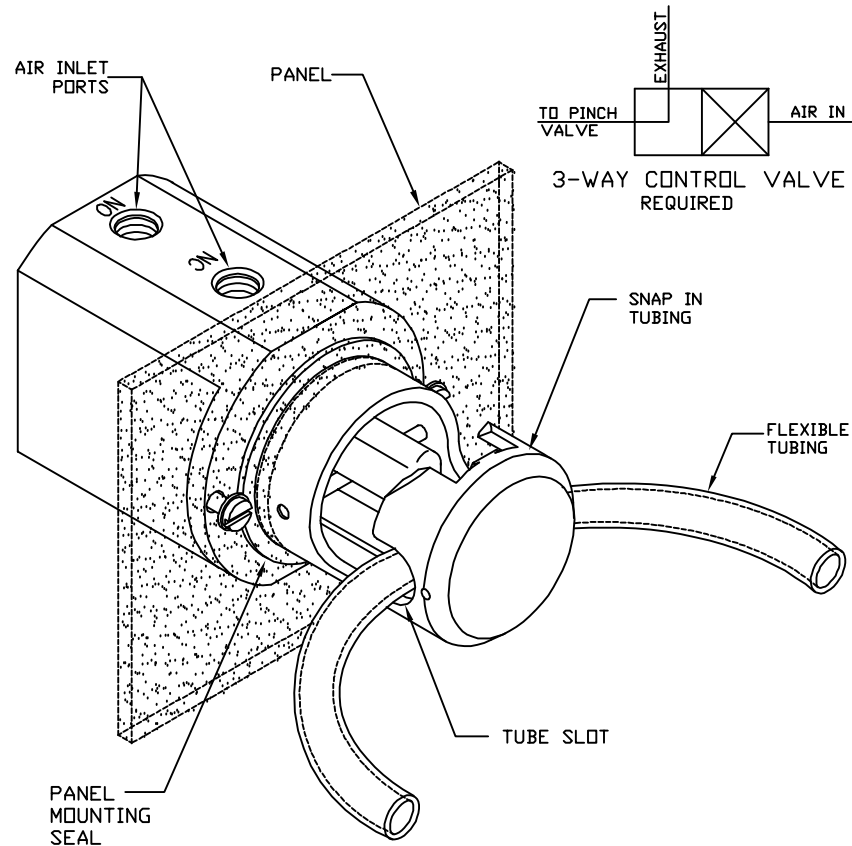
SEALS: PANEL MOUNTING SPLASH SEAL STD.

MOUNTING: PANEL OR BASE MOUNT IN ANY POSITION.

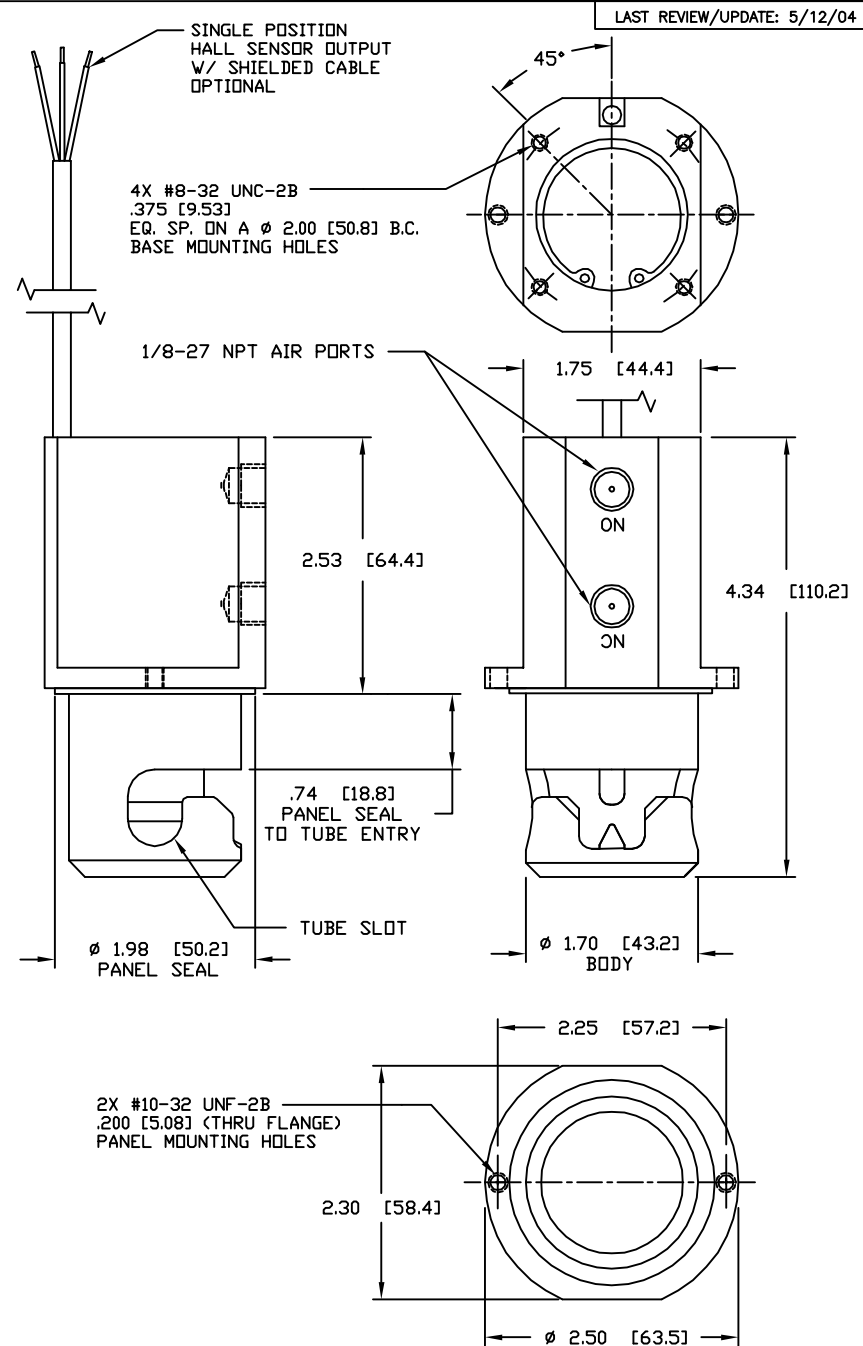
TUBE LOADING: SNAP-IN.

POSITION SENSING: OPTIONAL, CONSULT FACTORY.

SPECIFICATIONS



ISOMETRIC VIEW



DIMENSIONAL DETAILS

DIMENSIONS: INCH [METRIC]

DRAWING NUMBER

D9056

DESCRIPTION
MODEL 934 PNEUMATIC
PINCH VALVE GENERAL SPEC'S

THIS DRAWING CONTAINS
INFORMATION PROPRIETARY
TO ACRO ASSOCIATES, INC.

ACRO ASSOCIATES
1990 OLIVERA ROAD, CONCORD, CALIF. 94520, USA (925) 676-8828